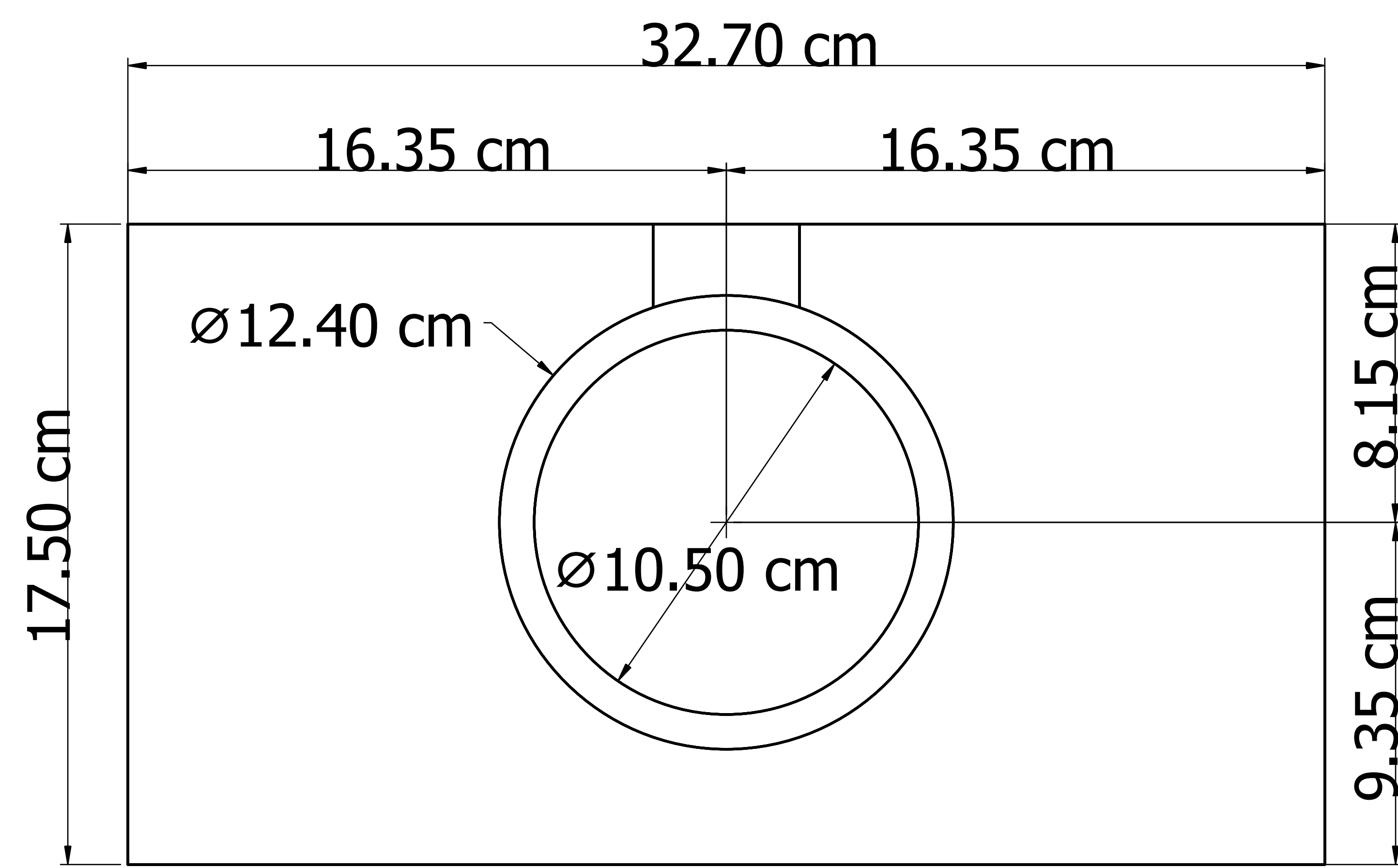
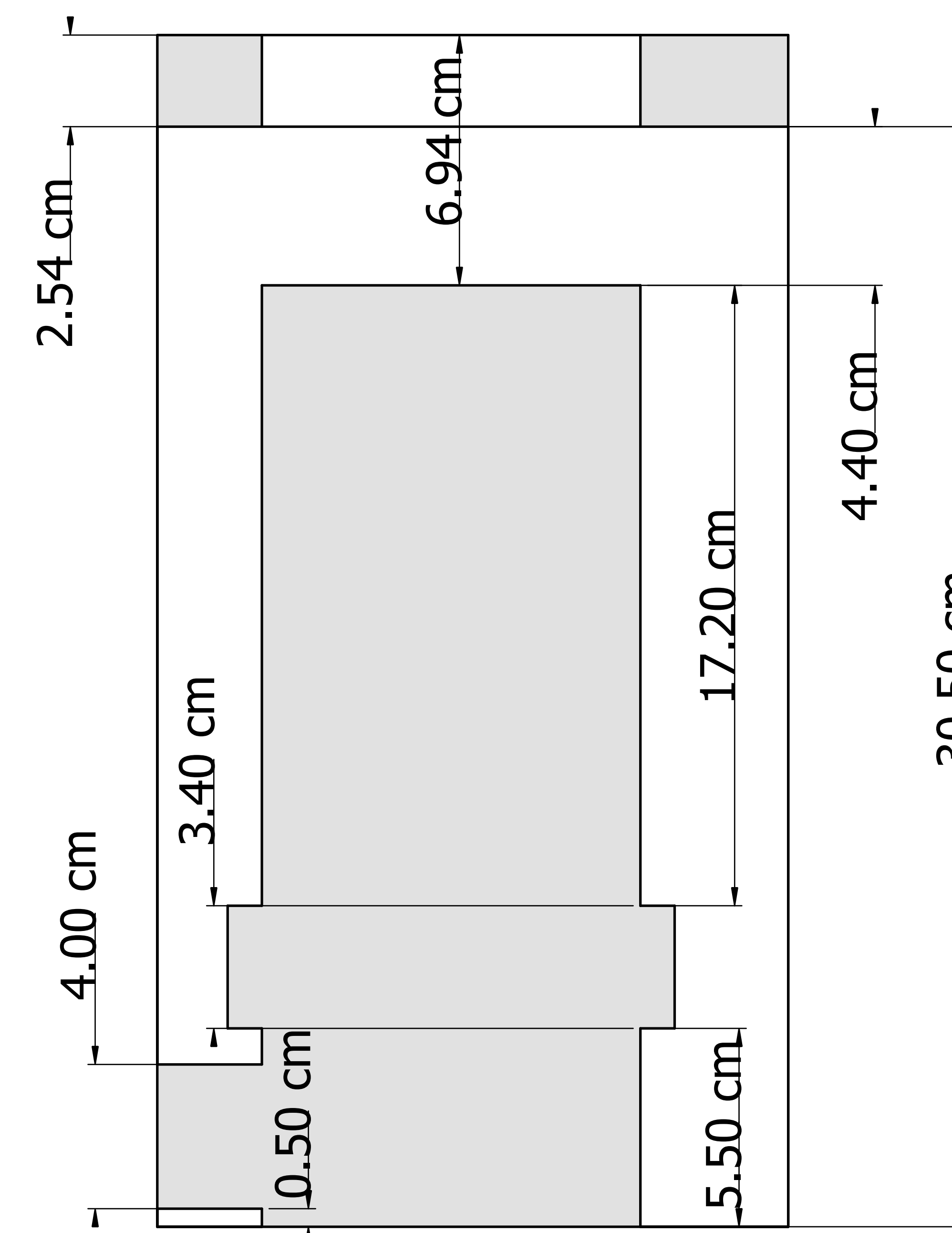


VdA Image



Top View



Side View - Cross Section

Note: The copper plates are not lined up precisely! Use minimum dimensions.